



harn[®]

BASIC drawer runner

product ordering
assembly
installation

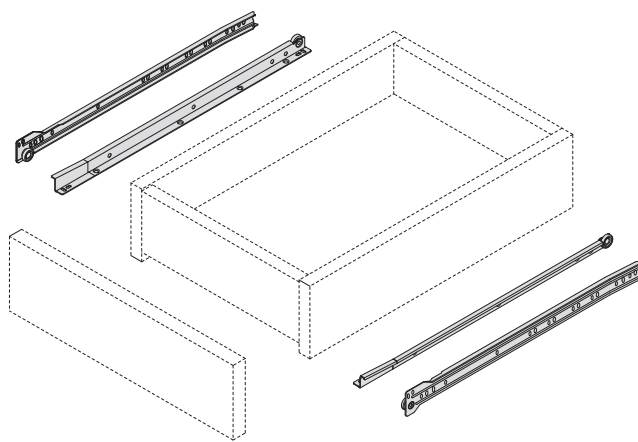
BASIC

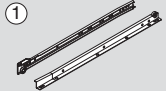
2030 Drawer Runners - Single Extension

BASIC

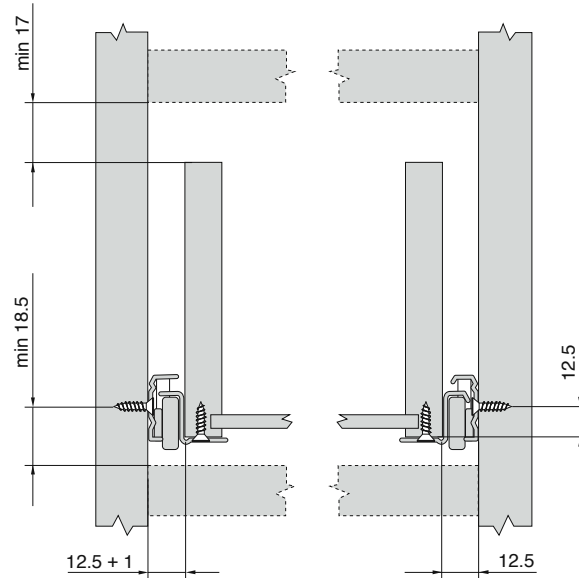


- Single extension
- Bottom mounted drawer profiles
- Epoxy coated
- Load capacity of 30kg
- Self closing feature
- Smooth rolling mechanism
- Double out-stop safety feature
- Locked-in position when fully extended



 Basic Drawer Runners Left / Right :	
Drawer Length	Standard Roller
250mm	2030.25.XX
270mm	2030.27.XX
300mm	2030.30.XX
350mm	2030.35.XX
400mm	2030.40.XX
450mm	2030.45.XX
500mm	2030.50.XX
550mm	2030.55.XX
600mm	2030.60.XX
650mm	2030.65.XX
700mm	2030.70.XX

Colour Code XX
Standard : 01 - R9010 White 11 - R8017 Brown 12 - R9005 Black



Cabinet Profile Screw Positions

Drawer Dimensions

Drawer Length

Min. internal cabinet depth = drawer length + 3 mm

250mm

270mm

300mm

350mm

400mm

450mm

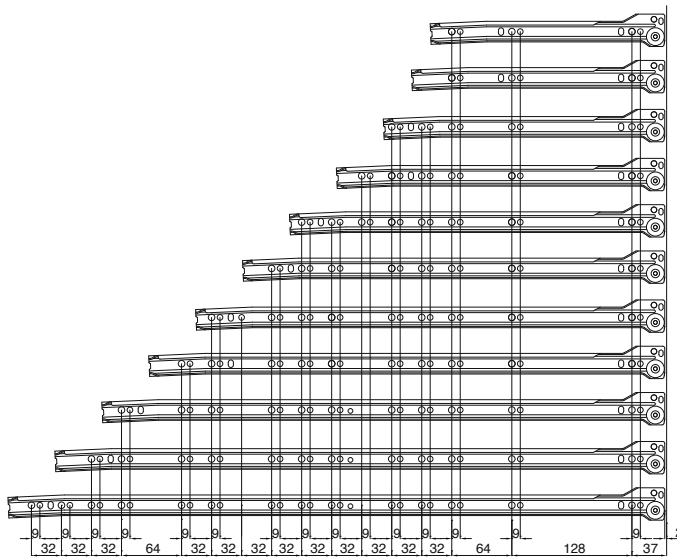
500mm

550mm

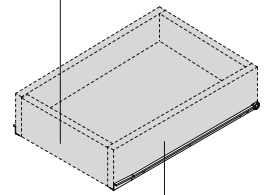
600mm

650mm

700mm

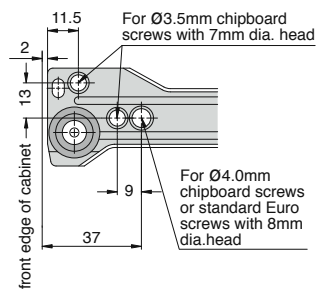


Drawer width = internal cabinet width - 25mm



Drawer length = runner length

Drilling pattern for cabinet member



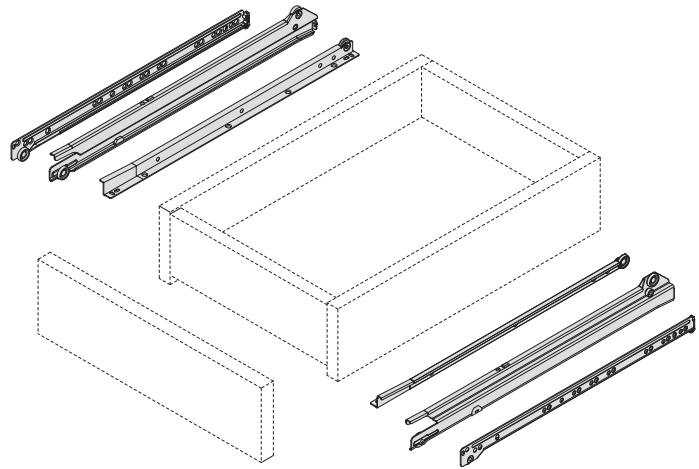
BASIC

3011 Drawer Runners - Full Extension

BASIC



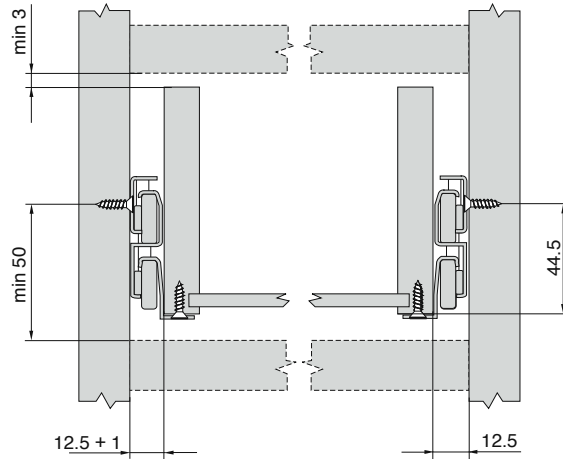
- Full extension
- Bottom mounted drawer profiles
- Epoxy coated
- Load capacity of 40kg
- Self closing feature
- Smooth rolling mechanism
- Double out-stop safety feature
- Locked-in position when fully extended



Basic Drawer Runners
Left / Right :

Drawer Length	Standard Roller
350mm	3011.35.XX
400mm	3011.40.XX
450mm	3011.45.XX
500mm	3011.50.XX
550mm	3011.55.XX

Colour Code XX
Standard : 01 - R9010 White 11 - R8017 Brown 12 - R9005 Black



Cabinet Profile Screw Positions

Drawer Dimensions

Drawer Length

350mm

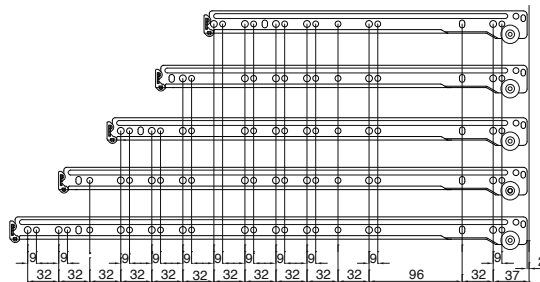
400mm

450mm

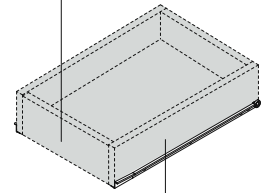
500mm

550mm

Min. internal cabinet depth = drawer length + 8 mm

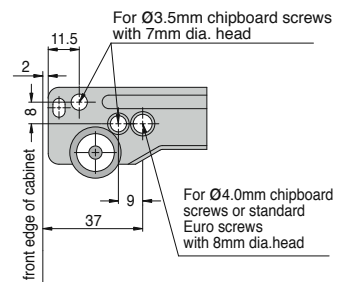


Drawer width = internal cabinet width - 25mm



Drawer length = runner length

Drilling pattern for cabinet member



Aksesori Setia Sdn.Bhd.

Company No. 326521-U

Plot 32, Lengkok Rishah 1,
Kawasan Perindustrian Silibin,
30100 Ipoh, Perak, Malaysia.

Tel : (60) 5 - 527 6055

Fax : (60) 5 - 527 6063

E-mail : info@harn.com

www.harn.com

harn[®]

